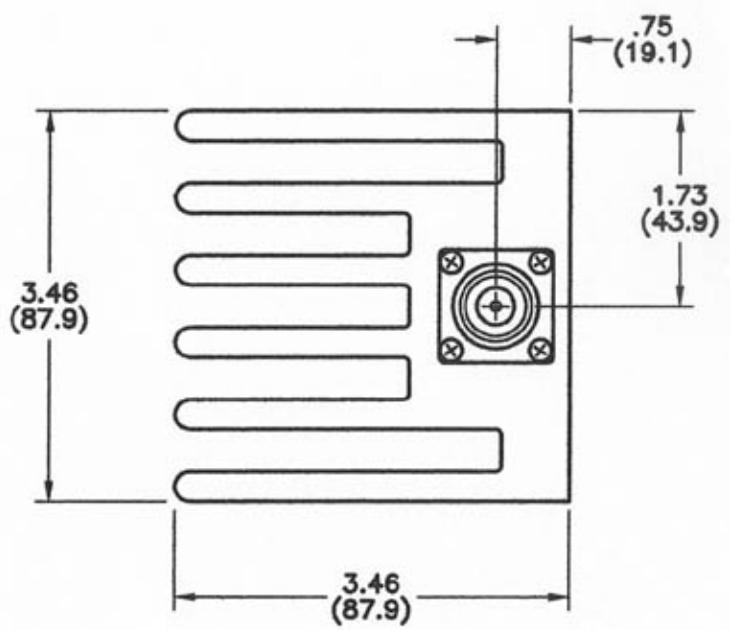
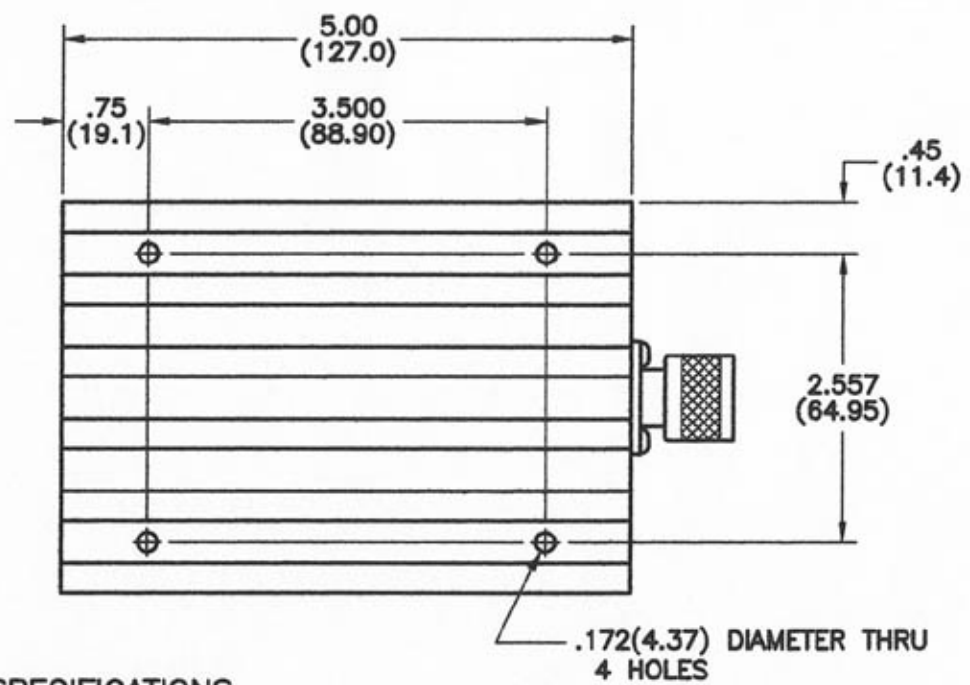


REVISIONS					
REV	ZONE	DESCRIPTION	DATE	BY	ECO



**SPECIFICATIONS**

FREQUENCY RANGE - DC TO 6.0 GHz  
 IMPEDANCE - 50 OHMS  
 VSWR (DC - 2.0 GHz) - 1.20:1  
       (2.0 - 4.0 GHz) - 1.28:1  
       (4.0 - 6.0 GHz) - 1.30:1  
 INPUT POWER (AVG.) - 100 WATTS  
                   (PEAK) - 2000 WATTS  
 OPERATING TEMPERATURE - -55°C TO +125°C  
 CONNECTOR TYPES - TYPE N OR TNC, PLUG OR JACK  
                           (TYPE N PLUG SHOWN)

.172(4.37) DIAMETER THRU  
4 HOLES

DIMENSIONS: INCHES  
(MILLIMETERS)

TOLERANCES		THE INFORMATION CONTAINED IN THIS DOCUMENT IS THE PROPERTY OF MICROWAVE DEVICES, INC. AND IS PROPRIETARY. IT IS NOT TO BE COPIED OR USED FOR ANY PURPOSE OTHER THAN AS INSTRUCTED, IN WRITING, BY MICROWAVE DEVICES, INC.
DECIMAL ± .03	FRACTION ±	
± .0005 ± .010	ANG ±	
MATERIAL		
SIGNATURES		DATE
FINISH	DR G.V.Cothren	8-28-68
CHK		
APPD		
APPD		

**MICROWAVE DEVICES**  
(RF and Microwave Components)

**OUTLINE, MODEL 6100LX6  
 TERMINATION, 100 WATT**

CAGE CODE: 60674  
 SIZE: B  
 DRAWING NO.: 900769

DRAWING SCALE: 1=1  
 SHEET 1 OF 1